

Horizontal Ball Float type STEAM TRAP

Technical Data :

Manufacturing Std. : IS 12268.

End Connection : Screwed End to BSP.

Inspection & Testing Std. : IS 12268.



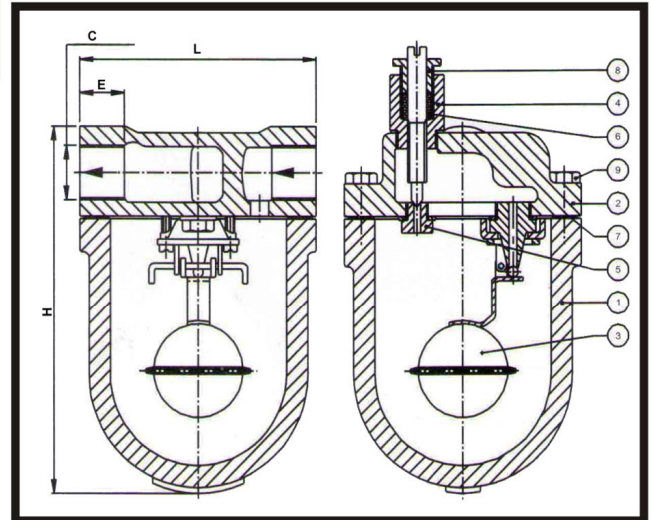
| SR. NO. | NOMENCLATURE | MATERIAL |
|---------|---------------|------------------------|
| 1. | BODY | C.I. IS 210 Gr. FG200. |
| 2. | COVER | C.I. IS 210 Gr. FG200. |
| 3. | BALL ASSEMBLY | SS 304. |
| 4. | SLR UNIT | AISI 304. |
| 5. | SLR SEAT | AISI 304. |
| 6. | PACKINGS | ASBESTOS |
| 7. | COVER GASKET | CAF |
| 8. | GLAND | BRASS/ AISI 304. |
| 9. | COVER BOLTS | CARBON STEEL. |

| SIZE | 15 | 20 | 25 | 40 | 50 |
|----------------|-----|-----|-----|-----|-----|
| END TO END (L) | 120 | 120 | 120 | 270 | 300 |
| H | 160 | 169 | 219 | 270 | 288 |
| E | 14 | 14 | 17 | 18 | 19 |
| C (BSP) | ½" | ¾" | 1" | 1½" | 2" |

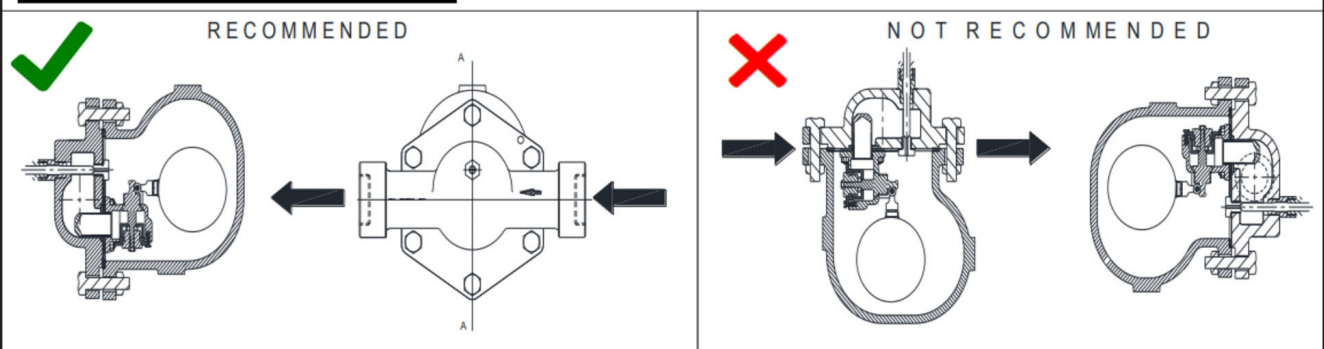
ALL DIMENSION ARE IN M.M.

HYD. TEST PRESSURE.

| | |
|------|----------------------|
| BODY | 15kg/cm ² |
|------|----------------------|



•BALL FLOAT MOUNTING



VALSON VALVES MFG. CO. - AHMEDABAD (GUJ.) INDIA.

Visit us : www.valsonvalves.com